



FIRESTOP CENTRE

Authorised New Zealand Distributor
Ph (09) 483 4000 www.firestopcentre.co.nz

Allproof Drop-In Collar PVC (25-100mm) or PEX (15-32mm) Pipe in 110mm CLT Floor



BRANZ Appraisal 1008
Technical Manual - Plumbing Pg 45
AS1530.4-2014 AS4072.1-2005

System ID# FC534

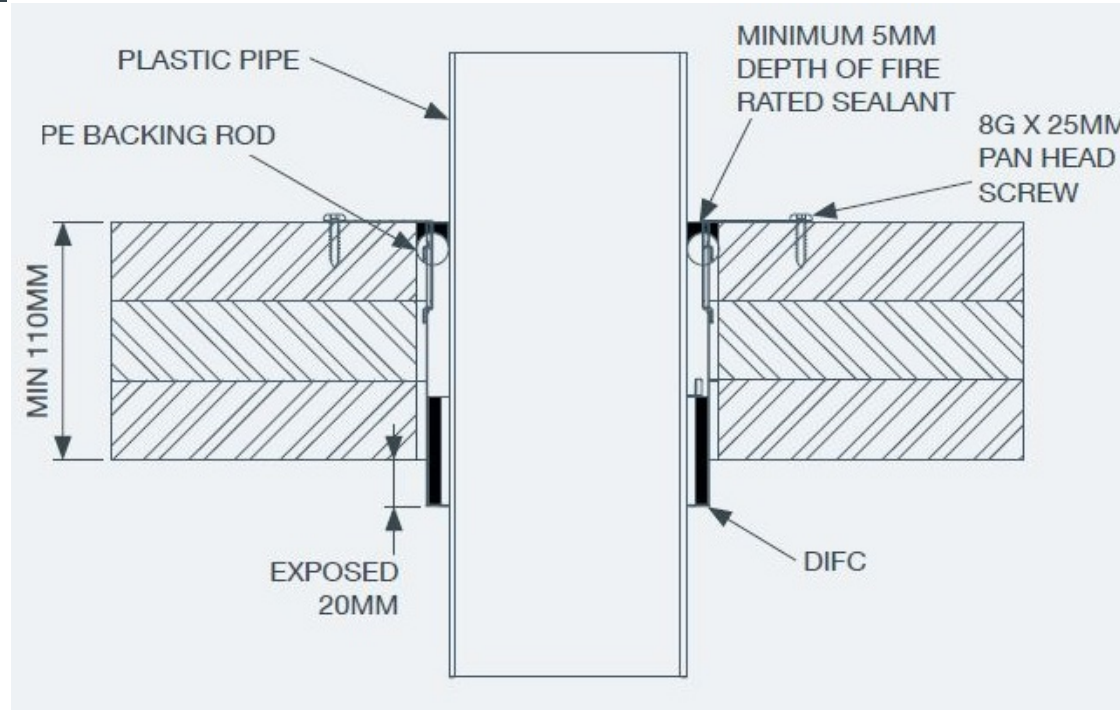
Products	Allproof Drop-In Fire Collar
Application	Fire stopping of PVC or PEX pipes in CLT floors
Construction	Minimum floor thickness of 110mm and comprise CLT laminated timber

Fire Classification:

PVC pipe 25 -100mm diam	FRR -/60/60
PEX pipe 15 - 32mm diam	FRR -/60/60

INSTALLATION INSTRUCTIONS:

1. Core drill hole to specified diameter to suit pipe size.
2. Install drop-in fire collar, fixing with two 8Gx25mm pan head screws.
3. Ensure collar on underside of floor is exposed by a nominal 20mm.
4. Seal gaps between floor/collar and collar/pipe with a minimum 5mm depth of Allproof MAS310 fire rated sealant with PE backing rod.



As a part of our policy of on-going product development and testing, we reserve the right to modify, alter or change product specifications without giving notice. All information contained in this document is given in good faith and is provided for guidance only. Any drawings provided are for illustrative purposes only. As Firestop Centre has no control over the methods or competence of installation and of prevailing site conditions, no warranties, expressed or implied, is intended to be given as to the actual performance of the product mentioned or referred to herein and no liability whatsoever will be accepted for any loss, damage or injury arising from the use of the information given.

For all technical details on the products specified please refer to the technical data sheets that can be found on www.firestopcentre.co.nz

Signed and approved:

ALLPROOF

INDUSTRIES

Allproof Industries Ltd
17 Bay Park Place
Beach Haven, AK 0626

Sheet size: A4	Drawn date & no: 28/5/25
Scale: NTS	Drawn by: G.P